

Standard Features

Trailer: Welded Structural Steel Frame, Removable Drawbar Adjustable 2" Ball Hitch, One Top-Wind Swivel Wheel Tongue Jack, Rectangular Polyethylene Fenders that are Bolted to the Trailer Frame, 3,500 lb. Axle Assembly, Double-Eye Leaf Springs, 15" Wheels/Tires, Four 2,000 lb. Corner Stabilizer Swivel Jacks, Telescoping Tower with 360° Rotation

Standard Color: Powder-Coated Safety Orange

Three Line Display: Three Lines of Eight 18" LED Characters, Weather-Resistant Aluminum Cabinet, Powder-Coated Flat Black, Lexan® Window, Stainless Steel Hinges, Cooling Fans to Circulate Air

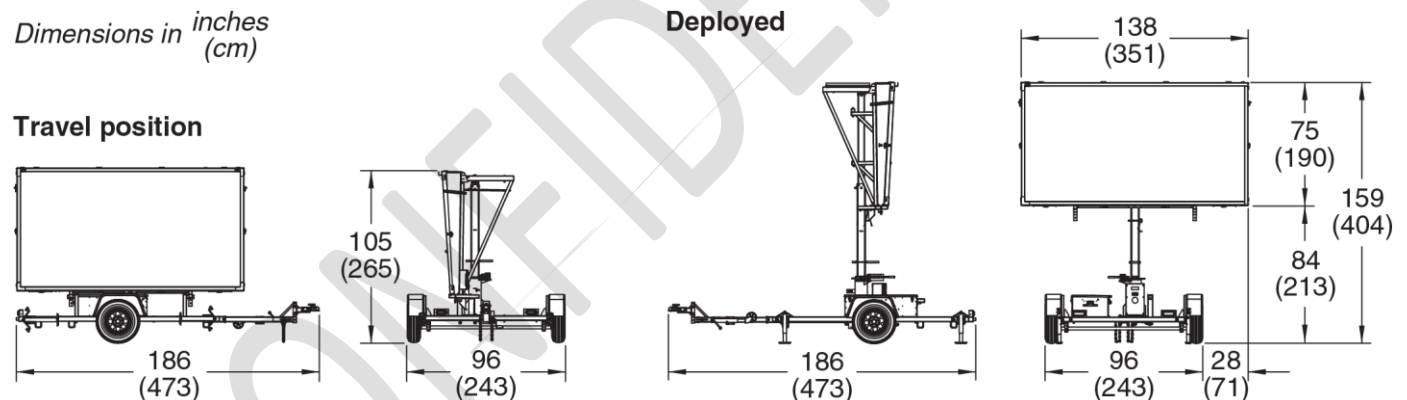
Full Matrix Display: 12 Variable Fonts, Full Range of MUTCD Graphics, Weather-Resistant Aluminum Cabinet, Powder-Coated Flat Black, Lexan® Window, Stainless Steel Hinges, Cooling Fans to Circulate Air

ICC (In Cabinet Controller): Capacitive 7" Touchscreen Controller, Full-color Touchscreen Display, Multi-level Password Protection, NTCIP Compliant, Easy to Use, Vandal Resistant when Deployed

5 Year Wanco Manufactured Electronics Warranty

Batteries: Wanco Standard Battery Box, Four 6V Flooded Batteries (400 Ah Total Capacity), 15 Amp Battery Charger

Solar: High-Efficiency Photovoltaic Solar Module, 130W Solar Panel, Regulated by the Wanco Message Sign Control System



Base Models: Three Line Display

| Models | Model Code | MSRP | Wanco P/N |
|--|------------|----------|-----------|
| 3-Line Message Sign with Hydraulic Lift | WTLMB(A) | \$22,700 | 218658-C1 |
| 3-Line Message Sign with Hand-Operated Winch | WTLMB(B) | \$22,270 | 219107-C1 |

Base Models: Full Matrix Display

| Models | Model Code | MSRP | Wanco P/N |
|---|------------|----------|-----------|
| Full Matrix Message Sign with Hydraulic Lift | WTMMB(A) | \$24,000 | 218376-C1 |
| Full Matrix Message Sign with Hand-Operated Winch | WTMMB(B) | \$23,570 | 219108-C1 |

All Prices are FOB Wanco Factory. Confidential Information.

Do not disclose to parties outside of your organization. Pricing effective 12/03/2022.

WANCO | 5870 Tennyson Street, Arvada, Colorado 80003 USA | 303-427-5700

www.wanco.com



2023 General Pricing

Full-Size Message Sign Options

| Options | Add | MSRP | Part Number |
|--|-----|------------|-----------------------------|
| Communication | | | |
| Digital 4G Wanco Modem with GPS Package (Verizon Only, Service Not Included), 5 Year Warranty | | \$760 | 219241 |
| Digital 4G Generic Modem with GPS (Specify AT&T®, Sprint® or Verizon, Service Not Included), 1 Year Warranty | | \$920 | 223881 |
| Digital 4G RV50X Modem with GPS (Specify AT&T®, Sprint® or Verizon, Service Not Included), 3 Year Warranty | | \$2,285 | 217510 |
| Antenna Pre-Wire Kit (Includes Antenna, Brackets, and Wiring) | | \$285 | N/A |
| Wanco Electronic Compass (See Position of Message Sign Through Wanco Fleet Manager) | | \$385 | N/A |
| Wanco Standard Cellular 5 MB Service w/ Fleet Manager Online Access (Setup, Programming, Hosting and Billing by Wanco; One Year Payment Required in Advance) | | \$120/year | N/A |
| Wanco Premium Cellular 250 MB Service w/ Fleet Manager Online Access (Setup, Programming, Hosting and Billing by Wanco; One Year Payment Required in Advance) (For Trailers with Data Classifier Optional Package or High Use & Online Control) | | \$250/year | N/A |
| Radar | | | |
| Approach-only K-band Speed Radar | | \$1,430 | 219034-C1 |
| Wanco Traffic Data Classifier System (Side Fire Radar-based, Nonintrusive) with Wanco Traffic Analyzer Software, Includes Approach-only K-band Speed Radar Upgraded to 170W solar array (Same Batteries and Charger as on Basic Trailers) | | \$2,850 | N/A |
| Trailer | | | |
| Lunette Ring for 3-inch Pintle Hitch (Replaces Standard 2" Ball Hitch) | | \$270 | 100936-001 |
| Combo-hitch for 3-inch Pintle Hitch and 2-inch Ball Hitch (Replaces Standard 2" Ball Hitch) | | \$430 | 103412-002 |
| 7 Pin Trailer Wiring Adapter (RV style) | | \$80 | 106371 |
| 7 Pin Trailer Wiring Harness (Cable with SAE Round Pin Connector) with 4 Tail Lights | | \$350 | N/A |
| Four Telescoping Auto-locking Outriggers | | \$445 | N/A |
| Electric Trailer Brakes with Breakaway Switch and Dry Cell Battery | | \$885 | N/A |
| Hydraulic Free Backing Surge Brakes with 2" Ball Actuator, A-frame Drawbar | | \$1,220 | 200262 |
| Galvanized Trailer Frame (Significantly Improves Corrosion Resistance) | | \$765 | N/A |
| Rectangular Steel Jeep-Style Fenders Bolted to the Trailer Frame | | \$430 | 202614-P1 |
| Solar | | | |
| 170-watt Solar Panel (Replaces Standard Solar, 30% Increase) | | \$430 | 202495 |
| 260-watt Solar Panel (Replaces Standard Solar, 100% Increase) | | \$1,370 | 202498 |
| Solar Panel Tilt/Rotate Frame Assembly – Includes 170-watt Solar Panel | | \$1,530 | N/A |
| Solar Panel Tilt/Rotate Frame Assembly – Includes 260-watt Solar Panel | | \$2,470 | N/A |
| Battery Box | | | |
| 45-amp 12V Battery Charger (Replaces Standard 15-amp Battery Charger) | | \$220 | 210271 |
| Wanco Standard Battery Box (Six – 6VDC Flooded Batteries - 600 Ah total capacity) (45-amp Battery Charger) | | \$685 | 218754-C1 HW 218759-C1 H |
| Wanco Standard Large Battery Box (Eight – 6VDC Flooded Batteries - 800 Ah total capacity) (45-amp Battery Charger) | | \$1,585 | 200148-C1 HW |
| Wanco Standard Battery Box (Two – 12VDC AGM Batteries - 400 Ah total capacity) (15-amp Battery Charger) | | \$900 | 218755-C1 HW 218760-C1 H |
| Wanco Standard Large Battery Box (Three – 12VDC AGM Batteries - 600 Ah total capacity) (45-amp Battery Charger) | | \$2,030 | 218756-C1 HW 218761-C1 H |
| Wanco Security Battery Box with Puck Locks (Four – 6VDC Flooded Batteries - 400 Ah total capacity) (15-amp Battery Charger) | | \$440 | 218762-C1 HW 218766-C1 H |
| Wanco Security Battery Box with Puck Locks (Six – 6VDC Flooded Batteries - 600 Ah total capacity) (45-amp Battery Charger) | | \$1,120 | 218763-C1 HW 218767-C1 H |
| Wanco Security Battery Box with Puck Locks (Two – 12VDC AGM Batteries - 400 Ah total capacity) (15-amp Battery Charger) | | \$1,340 | 218764-C1 HW 218768-C1 H |
| Wanco Large Security Battery Box with Puck Locks (Three – 12VDC AGM Batteries - 600 Ah total capacity) (45-amp Battery Charger) | | \$2,440 | 212010-C1 H |
| Custom Color | | | |
| Custom Color Scheme – Electrostatic Powder Coat, Approved Color Chip Required | | \$1,020 | N/A |

All Prices are FOB Wanco Factory. Confidential Information.

Do not disclose to parties outside of your organization. Pricing effective 12/03/2022.

WANCO | 5870 Tennyson Street, Arvada, Colorado 80003 USA | 303-427-5700

www.wanco.com

Wanaco[®] Mini Message Signs

Standard Features

Trailer: Welded Structural Steel Frame, Removable Drawbar 2" Ball Hitch, One Top-Wind Swivel Wheel Tongue Jack, Round Polyethylene Fenders that are Bolted to the Trailer Frame, 2,000 lb. Axle Assembly, Double-Eye Leaf Springs, 15" Wheels/Tires, Four 2,000 lb. Corner Stabilizer Swivel Jacks, Telescoping Tower with 360° Rotation

Standard Color: Powder-Coated Safety Orange

Three Line Display: Three Lines of Eight 14" LED Characters, Weather-Resistant Aluminum Cabinet, Powder-Coated Flat Black, Lexan[®] Window, Stainless Steel Hinges, Cooling Fans to Circulate Air

Full Matrix Display: 12 Variable Fonts, Full Range of MUTCD Graphics, Weather-Resistant Aluminum Cabinet, Powder-Coated Flat Black, Lexan[®] Window, Stainless Steel Hinges, Cooling Fans to Circulate Air

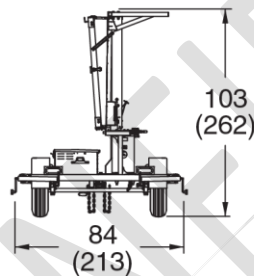
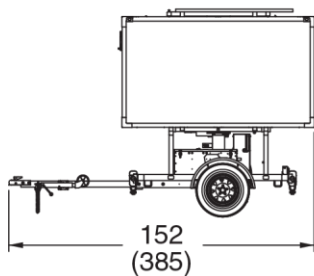
5 Year Wanaco, Manufactured Electronics Warranty

Batteries: Wanaco Standard Battery Box, Four 6V Batteries (400 Ah Total Capacity), 15 Amp Battery Charger

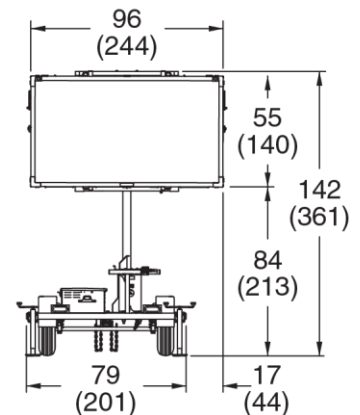
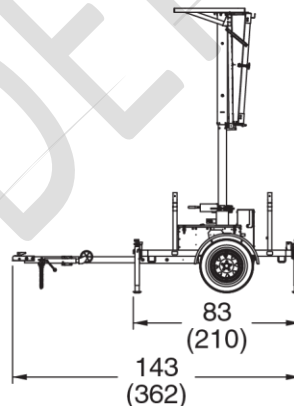
Solar: High-Efficiency Photovoltaic Solar Module, 85W Solar Panel, Regulated by the Wanaco Message Sign Control System

Dimensions in inches
(cm)

Travel Position



Deployed



Base Models: Three Line Display

| Models | Model Code | MSRP | Part Number |
|---|------------|----------|-------------|
| Mini 3-Line Message Sign with Hydraulic Lift | WVT3(A) | \$22,140 | 218682-C1 |
| Mini 3-Line Message Sign with Hand-Operated Winch | WVT3(B) | \$21,430 | 218685-C1 |

Base Models: Full Matrix Display

| Models | Model Code | MSRP | Part Number |
|---|------------|----------|-------------|
| Mini-Matrix Message Sign with Hydraulic Lift | WVTM(A) | \$22,685 | 218678-C1 |
| Mini-Matrix Message Sign with Hand-Operated Winch | WVTM(B) | \$22,140 | 218686-C1 |

All Prices are FOB Wanaco Factory. Confidential Information.

Do not disclose to parties outside of your organization. Pricing effective 12/03/2022.



2023 General Pricing

Mini Message Sign Options

| Options | Add | MSRP | Part Number |
|--|-----|------------|-----------------------------|
| Communication | | | |
| Digital 4G Wanaco Modem with GPS Package (Verizon Only, Service Not Included), 5 Year Warranty | | \$760 | 219241 |
| Digital 4G Generic Modem with GPS (Specify AT&T®, Sprint® or Verizon, Service Not Included), 1 Year Warranty | | \$920 | 223881 |
| Digital 4G RV50X Modem with GPS (Specify AT&T®, Sprint® or Verizon, Service Not Included), 3 Year Warranty | | \$2,285 | 217510 |
| Antenna Pre-Wire Kit (Includes Antenna, Brackets, and Wiring) | | \$285 | N/A |
| Wanaco Electronic Compass (See Position of Message Sign Through Wanaco Fleet Manager) | | \$385 | N/A |
| Wanaco Standard Cellular 5 MB Service w/ Fleet Manager Online Access (Setup, Programming, Hosting and Billing by Wanaco; One Year Payment Required in Advance) | | \$120/year | N/A |
| Wanaco Premium Cellular 250 MB Service w/ Fleet Manager Online Access (Setup, Programming, Hosting and Billing by Wanaco; One Year Payment Required in Advance) (For Trailers with Data Classifier Optional Package or High Use & Online Control) | | \$250/year | N/A |
| Radar | | | |
| Approach-only K-band Speed Radar | | \$1,430 | 219034-C1 |
| Wanaco Traffic Data Classifier System (Side Fire Radar-based, Nonintrusive) with Wanaco Traffic Analyzer Software, Includes Approach-only K-band Speed Radar Upgraded to 170W solar array (Same Batteries and Charger as on Basic Trailers) | | \$2,850 | N/A |
| Trailer | | | |
| Lunette Ring for 2.5-inch Pintle Hitch (Replaces Standard 2" Ball Hitch) | | \$130 | 101978-001 |
| Combo-hitch for 2.5-inch Pintle Hitch and 2-inch Ball Hitch (Replaces Standard 2" Ball Hitch) | | \$230 | 103412-001 |
| 7 Pin Trailer Wiring Adapter (RV style) | | \$80 | 106371 |
| 7 Pin Trailer Wiring Harness (Cable with SAE Round Pin Connector) with 4 Tail Lights | | \$350 | N/A |
| Four Telescoping Auto-locking Outriggers | | \$445 | N/A |
| Electric Trailer Brakes with Breakaway Switch and Dry Cell Battery | | \$885 | N/A |
| Round Steel Full Wheel Fenders Bolted to the Trailer Frame | | \$430 | 216281-P1 |
| Solar | | | |
| 130-watt Solar Panel (Replaces Standard Solar, 53% Increase) | | \$470 | 202493 |
| 170-watt Solar Panel (Replaces Standard Solar, 100% Increase) | | \$890 | 202495 |
| 260-watt Solar Panel (Replaces Standard Solar, 206% Increase) | | \$1,835 | 202498 |
| Solar Panel Tilt/Rotate Frame Assembly – Includes 170-watt Solar Panel | | \$1,985 | N/A |
| Solar Panel Tilt/Rotate Frame Assembly – Includes 260-watt Solar Panel | | \$2,930 | N/A |
| Battery Box | | | |
| 45-amp 12V Battery Charger (Replaces Standard 15-amp Battery Charger) | | \$220 | 210271 |
| Wanaco Standard Battery Box (Six – 6VDC Flooded Batteries - 600 Ah total capacity) (45-amp Battery Charger) | | \$685 | 218754-C1 HW 218759-C1 H |
| Wanaco Standard Large Battery Box (Eight – 6VDC Flooded Batteries - 800 Ah total capacity) (45-amp Battery Charger) | | \$1,585 | 200148-C1 HW |
| Wanaco Standard Battery Box (Two – 12VDC AGM Batteries - 400 Ah total capacity) (15-amp Battery Charger) | | \$900 | 218755-C1 HW 218760-C1 H |
| Wanaco Standard Large Battery Box (Three – 12VDC AGM Batteries - 600 Ah total capacity) (45-amp Battery Charger) | | \$2,030 | 218756-C1 HW 218761-C1 H |
| Wanaco Security Battery Box with Puck Locks (Four – 6VDC Flooded Batteries - 400 Ah total capacity) (15-amp Battery Charger) | | \$440 | 218770-C1 HW 218774-C1 H |
| Wanaco Security Battery Box with Puck Locks (Six – 6VDC Flooded Batteries - 600 Ah total capacity) (45-amp Battery Charger) | | \$1,120 | 218771-C1 HW 218775-C1 H |
| Wanaco Security Battery Box with Puck Locks (Two – 12VDC AGM Batteries - 400 Ah total capacity) (15-amp Battery Charger) | | \$1,340 | 218772-C1 HW 218776-C1 H |
| Wanaco Large Security Battery Box with Puck Locks (Three – 12VDC AGM Batteries - 600 Ah total capacity) (45-amp Battery Charger) | | \$2,440 | 221311-C1 H |
| Custom Color | | | |
| Custom Color Scheme – Electrostatic Powder Coat, Approved Color Chip Required | | \$1,020 | N/A |

All Prices are FOB Wanaco Factory. Confidential Information.

Do not disclose to parties outside of your organization. Pricing effective 12/03/2022.

WANACO | 5870 Tennyson Street, Arvada, Colorado 80003 USA | 303-427-5700

www.wanaco.com

Wanaco[®] Metro[™] Matrix Message Signs

Standard Features

Trailer: Welded Structural Steel Frame, Removable Drawbar 2" Ball Hitch, One Top-Wind Pad Tongue Jack, Round Polyethylene Fenders that are Bolted to the Trailer Frame, 2,000 lb. Axle Assembly, Double-Eye Leaf Springs, 15" Wheels/Tires, Four 2,000 lb. Corner Stabilizer Swivel Jacks, Telescoping Tower with 360° Rotation

Standard Color: Powder-Coated Safety Orange

Metro[™] Matrix Display: 12 Variable Fonts, Full Range of MUTCD Graphics, Weather-Resistant Aluminum Cabinet, Powder-Coated Flat Black, Lexan[®] Window, Stainless Steel Hinges, Cooling Fans to Circulate Air

ICC (In Cabinet Controller): Capacitive 7" Touchscreen Controller, Full-color Touchscreen Display, Multi-level Password Protection, NTCIP Compliant, Easy to Use, Vandal Resistant when Deployed

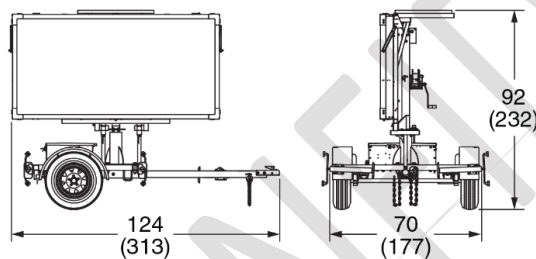
5 Year Wanaco Manufactured Electronics Warranty

Batteries: Wanaco Standard Battery Box, Four 6V Batteries (400 Ah Total Capacity), 15 Amp Battery Charger

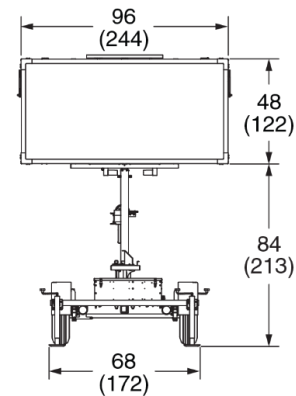
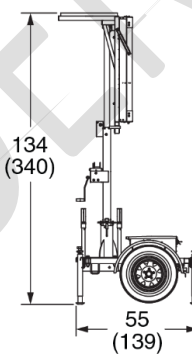
Solar: High-Efficiency Photovoltaic Solar Module, 85W Solar Panel (Medium Display), 130W Solar Panel (Large Display), Regulated by the Wanaco Message Sign Control System

Dimensions in inches (cm)

Travel position

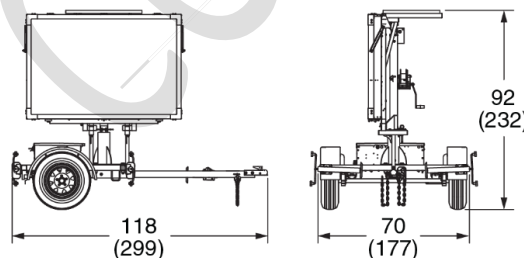


Deployed

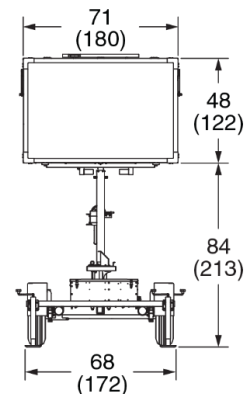
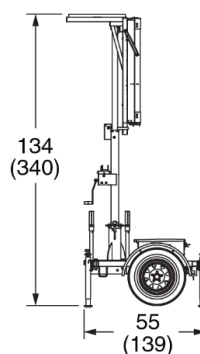


Dimensions in inches (cm)

Travel position



Deployed



Base Models: Metro[™] Matrix Display

| Models | Model Code | MSRP | Part Number |
|---|------------|----------|-------------|
| Medium Metro [™] Matrix Display* | WVTMM-M | \$18,360 | 218648-C1 |
| Large Metro [™] Matrix Display* | WVTMM-L | \$19,785 | 218052-C1 |

*Hand-Operated Winch Only

All Prices are FOB Wanaco Factory. Confidential Information.

Do not disclose to parties outside of your organization. Pricing effective 12/03/2022.



2023 General Pricing

Metro™ Matrix Message Sign Options

| Options | Add | MRP | Part Number |
|--|-----|------------|--------------|
| Communication | | | |
| Digital 4G Wanco Modem with GPS Package (Verizon Only, Service Not Included), 5 Year Warranty | | \$760 | 219241 |
| Digital 4G Generic Modem with GPS (Specify AT&T®, Sprint® or Verizon, Service Not Included), 1 Year Warranty | | \$920 | 223881 |
| Digital 4G RV50X Modem with GPS (Specify AT&T®, Sprint® or Verizon, Service Not Included), 3 Year Warranty | | \$2,285 | 217510 |
| Antenna Pre-Wire Kit (Includes Antenna, Brackets, and Wiring) | | \$285 | N/A |
| Wanco Electronic Compass (See Position of Message Sign Through Wanco Fleet Manager) | | \$385 | N/A |
| Wanco Standard Cellular 5 MB Service w/ Fleet Manager Online Access (Setup, Programming, Hosting and Billing by Wanco; One Year Payment Required in Advance) | | \$120/year | N/A |
| Wanco Premium Cellular 250 MB Service w/ Fleet Manager Online Access (Setup, Programming, Hosting and Billing by Wanco; One Year Payment Required in Advance) (For Trailers with Data Classifier Optional Package or High Use & Online Control) | | \$250/year | N/A |
| Radar | | | |
| Approach-only K-band Speed Radar | | \$1,430 | 219034-C1 |
| Wanco Traffic Data Classifier System (Side Fire Radar-based, Nonintrusive) with Wanco Traffic Analyzer Software, Includes Approach-only K-band Speed Radar Upgraded to 170W solar array (Same Batteries and Charger as on Basic Trailers) | | \$2,850 | N/A |
| Trailer | | | |
| Lunette Ring for 2.5-inch Pintle Hitch (Replaces Standard 2" Ball Hitch) | | \$130 | 101978-001 |
| Combo-hitch for 2.5-inch Pintle Hitch and 2-inch Ball Hitch (Replaces Standard 2" Ball Hitch) | | \$230 | 103412-001 |
| 7 Pin Trailer Wiring Adapter (RV style) | | \$80 | 106371 |
| 7 Pin Trailer Wiring Harness (Cable with SAE Round Pin Connector) with 4 Tail Lights | | \$350 | N/A |
| Round Steel Full Wheel Fenders Bolted to the Trailer Frame | | \$430 | 216281-P1 |
| Solar - Medium display trailer | | | |
| 130-watt Solar Panel (Replaces Standard Solar, 53% Increase) | | \$470 | 202493 |
| 170-watt Solar Panel (Replaces Standard Solar, 100% Increase) | | \$890 | 202495 |
| 260-watt Solar Panel (Replaces Standard Solar, 206% Increase) | | \$1,835 | 202498 |
| Solar - Large display trailer | | | |
| 170-watt Solar Panel (Replaces Standard Solar, 30% Increase) | | \$430 | 202495 |
| 260-watt Solar Panel (Replaces Standard Solar, 100% Increase) | | \$1,370 | 202498 |
| Battery Box | | | |
| 45-amp 12V Battery Charger (Replaces Standard 15-amp Battery Charger) | | \$220 | 210271 |
| Wanco Standard Battery Box (Six – 6VDC Flooded Batteries - 600 Ah total capacity) (45-amp Battery Charger) | | \$685 | 218754-C1 HW |
| Wanco Standard Battery Box (Two – 12VDC AGM Batteries - 400 Ah total capacity) (15-amp Battery Charger) | | \$900 | 218755-C1 HW |
| Wanco Security Battery Box with Puck Locks (Four – 6VDC Flooded Batteries - 400 Ah total capacity) (15-amp Battery Charger) | | \$440 | 218770-C1 HW |
| Wanco Security Battery Box with Puck Locks (Six – 6VDC Flooded Batteries - 600 Ah total capacity) (45-amp Battery Charger) | | \$1,120 | 218771-C1 HW |
| Wanco Security Battery Box with Puck Locks (Two – 12VDC AGM Batteries - 400 Ah total capacity) (15-amp Battery Charger) | | \$1,340 | 218771-C1 HW |
| Custom Color | | | |
| Custom Color Scheme – Electrostatic Powder Coat, Approved Color Chip Required | | \$1,020 | N/A |

All Prices are FOB Wanco Factory. Confidential Information.

Do not disclose to parties outside of your organization. Pricing effective 12/03/2022.

WANCO | 5870 Tennyson Street, Arvada, Colorado 80003 USA | 303-427-5700

www.wanco.com

Wanaco[®] 5-Color Message Signs

Standard Features

Trailer: Welded Structural Steel Frame, Removable Drawbar 2" Ball Hitch, One Top-Wind Swivel Wheel Tongue Jack, Round Polyethylene Fenders that are Bolted to the Trailer Frame, 2,000 lb. Axle Assembly, Double-Eye Leaf Springs, 15" Wheels/Tires, Four 2,000 lb. Corner Stabilizer Swivel Jacks, Telescoping Tower with 360° Rotation

Standard Color: Powder-Coated Safety Orange

Display: Five-Color Full-Matrix Display, 15 LED's per Pixel, 3 per Color (Amber, White, Red, Green, Blue), 12 Variable Fonts, Full Range of MUTCD Graphics, Weather-Resistant Aluminum Cabinet, Powder-Coated Flat Black, Lexan[®] Window, Stainless Steel Hinges, Cooling Fans to Circulate Air

ICC (In Cabinet Controller): Capacitive 7" Touchscreen Controller, Full-color Touchscreen Display, Multi-level Password Protection, NTCIP Compliant, Easy to Use, Vandal Resistant when Deployed

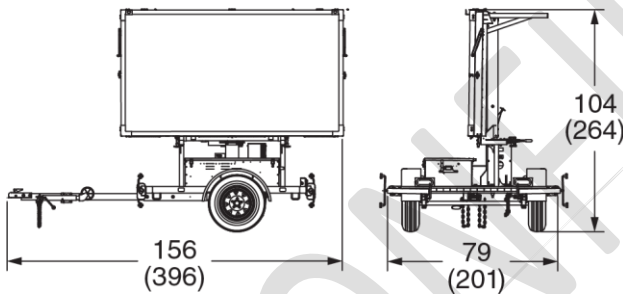
5 Year Wanaco Manufactured Electronics Warranty

Batteries: Security Battery Box, Three 12V AGM Batteries (600 Ah Total Capacity), 45 Amp Battery Charger

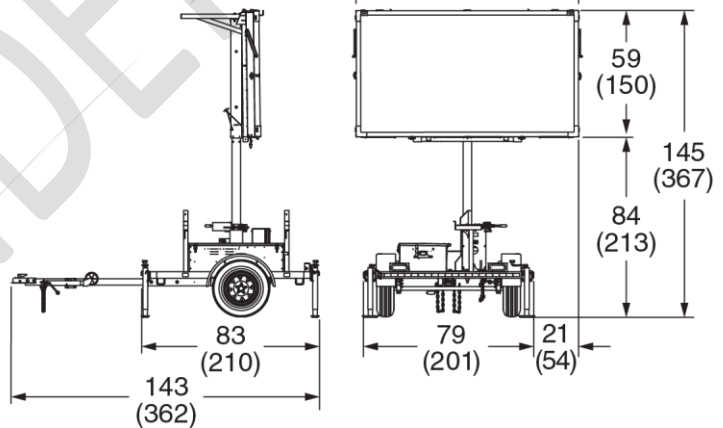
Solar: High-Efficiency Photovoltaic Solar Module, Two 130W Solar Panels, Regulated by the Wanaco Message Sign Control System

Dimensions in inches
(cm)

Travel position



Deployed position



Base Models: Full Matrix 5-color Display

| Models | Model Code | MSRP | Part Number |
|---|------------|----------|-------------|
| 5-Color Matrix Message Sign with Hydraulic Lift – Includes Wanaco Large Security Battery Box with Puck Locks | WVTM-5C | \$43,000 | 208360-C1 |

All Prices are FOB Wanaco Factory. Confidential Information.

Do not disclose to parties outside of your organization. Pricing effective 12/03/2022.

WANCO | 5870 Tennyson Street, Arvada, Colorado 80003 USA | 303-427-5700

www.wanaco.com



2023 General Pricing

5-Color Message Sign Options

| Options | Add | MSRP | Part Number |
|--|----------|------------|-------------|
| Communication | | | |
| Digital 4G Wanaco Modem with GPS Package (Verizon Only, Service Not Included), 5 Year Warranty | | \$760 | 219241 |
| Digital 4G Generic Modem with GPS (Specify AT&T®, Sprint® or Verizon, Service Not Included), 1 Year Warranty | | \$920 | 223881 |
| Digital 4G RV50X Modem with GPS (Specify AT&T®, Sprint® or Verizon, Service Not Included), 3 Year Warranty | | \$2,285 | 217510 |
| Antenna Pre-Wire Kit (Includes Antenna, Brackets, and Wiring) | | \$285 | N/A |
| Wanaco Electronic Compass (See Position of Message Sign Through Wanaco Fleet Manager) | | \$385 | N/A |
| Wanaco Standard Cellular 5 MB Service w/ Fleet Manager Online Access (Setup, Programming, Hosting and Billing by Wanaco; One Year Payment Required in Advance) | | \$120/year | N/A |
| Wanaco Premium Cellular 250 MB Service w/ Fleet Manager Online Access (Setup, Programming, Hosting and Billing by Wanaco; One Year Payment Required in Advance) (For Trailers with Data Classifier Optional Package or High Use & Online Control) | | \$250/year | N/A |
| Radar | | | |
| Approach-only K-band Speed Radar | | \$1,430 | 219034-C1 |
| Wanaco Traffic Data Classifier System (Side Fire Radar-based, Nonintrusive) with Wanaco Traffic Analyzer Software, Includes Approach-only K-band Speed Radar | | \$2,850 | N/A |
| Trailer | | | |
| Lunette Ring for 2.5-inch Pintle Hitch (Replaces Standard 2" Ball Hitch) | | \$130 | 101978-001 |
| Combo-hitch for 2.5-inch Pintle Hitch and 2-inch Ball Hitch (Replaces Standard 2" Ball Hitch) | | \$230 | 103412-001 |
| 7 Pin Trailer Wiring Adapter (RV style) | | \$80 | 106371 |
| 7 Pin Trailer Wiring Harness (Cable with SAE Round Pin Connector) with 4 Tail Lights | | \$350 | N/A |
| Four Telescoping Auto-locking Outriggers | | \$445 | N/A |
| Round Steel Full Wheel Fenders Bolted to the Trailer Frame | | \$430 | 216281-P1 |
| Solar | | | |
| 340-watt Flat Solar Panel (Replaces Standard Solar, 31% Increase) | | \$840 | 202499 |
| Solar Panel Tilt/Rotate Frame Assembly – Includes 260-watt Solar Panel | | \$1,100 | N/A |
| Battery Box | | | |
| 75-amp 12V Battery Charger (Replaces Standard 45-amp Battery Charger) | | \$335 | 107065 |
| Wanaco Large Security Battery Box with Puck Locks (Three – 12VDC AGM Batteries – 600 Ah total capacity) (45-amp Battery Charger) | INCLUDED | INCLUDED | 212010-C1 H |
| Custom Color | | | |
| Custom Color Scheme – Electrostatic Powder Coat, Approved Color Chip Required | | \$1,020 | N/A |

All Prices are FOB Wanaco Factory. Confidential Information.

Do not disclose to parties outside of your organization. Pricing effective 12/03/2022.

WANCO | 5870 Tennyson Street, Arvada, Colorado 80003 USA | 303-427-5700

www.wanaco.com